

FAN CONTROL

FORWARD/REVERSE POWER ALARM

FORWARD/REVERSE POWER METER

REVERSE POWER ALARM

REVERSE POWER METER

FORWARD/REVERSE POWER ALARM

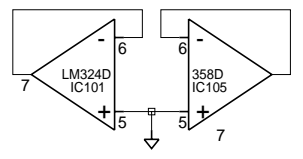
REVERSE POWER ALARM

8 WAY MICROMATCH

15-PIN D-RANGE PLUG

USER	2KVAR8	-
NON_USER	-	2KVAR3299Y

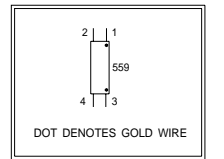
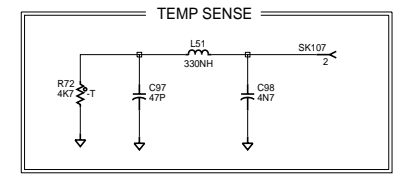
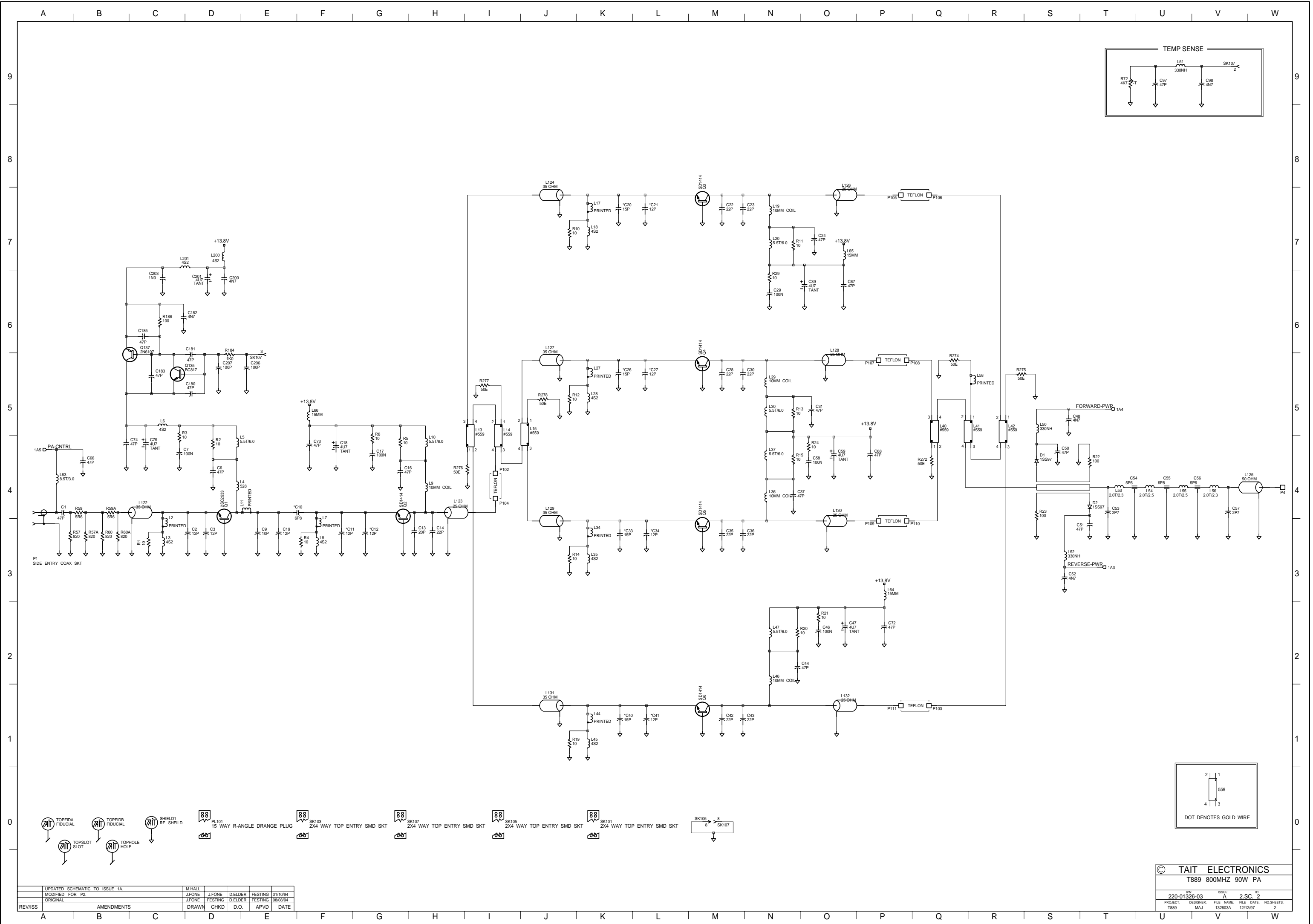
LINK2 REMOVED FOR AUSTRALIAN TYPE APPROVAL.



© TAIT ELECTRONICS
T889 800MHZ 90W PA

IPN: 220-01326-03	ISSUE: A	ID: 2.S.C. 1
PROJECT: T889	DESIGNER: MAJ	FILE DATE: 12/12/97
NO. SHEETS: 2		

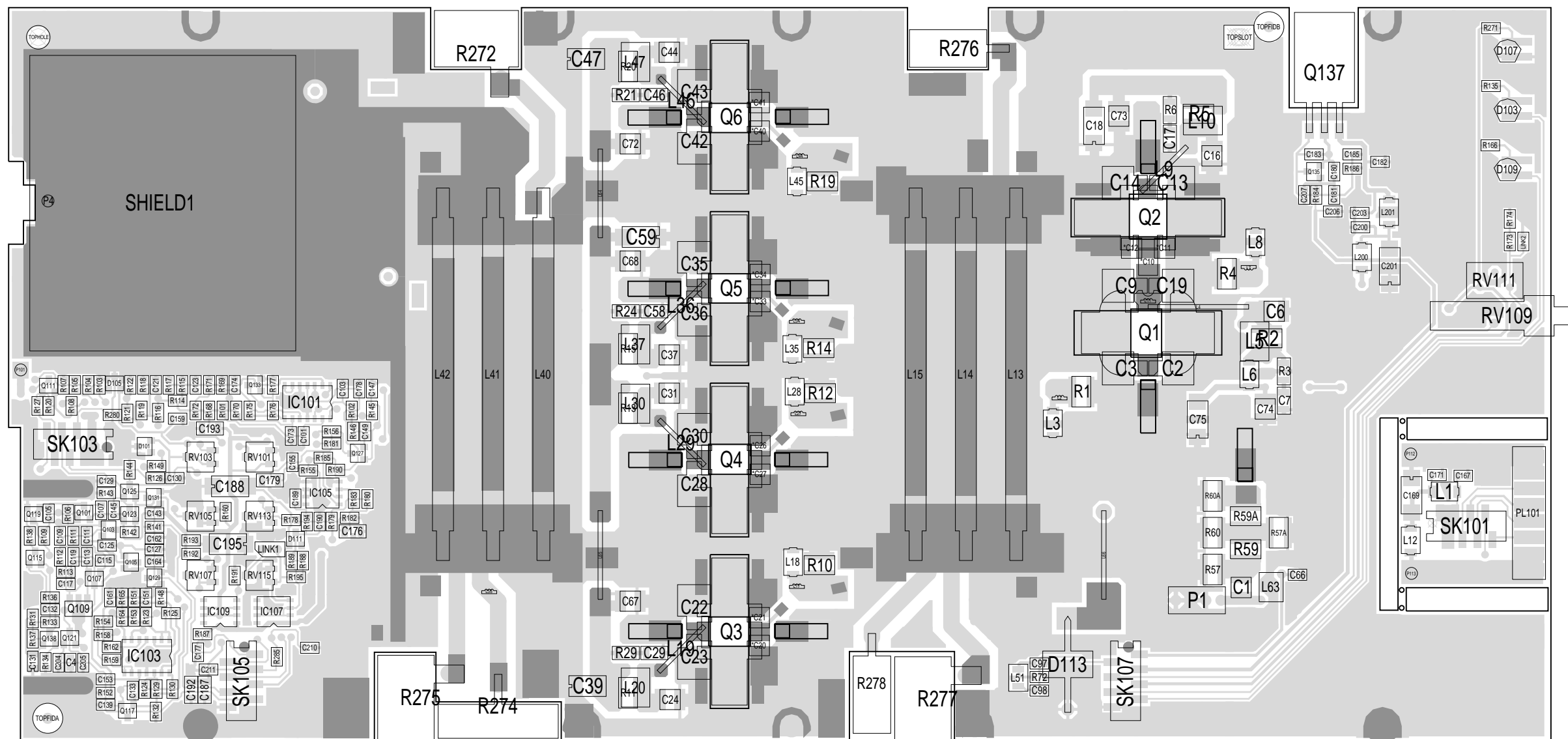
REV/ISS	AMENDMENTS	DRAWN	CHKD	D.O.	APVD	DATE



- TOPFIDA FIDUCIAL
- TOPFIDB FIDUCIAL
- SHIELD1 RF SHIELD
- PL101 15 WAY R-ANGLE DRANGE PLUG
- SK103 2X4 WAY TOP ENTRY SMD SKT
- SK107 2X4 WAY TOP ENTRY SMD SKT
- SK105 2X4 WAY TOP ENTRY SMD SKT
- SK101 2X4 WAY TOP ENTRY SMD SKT
- SK105 8 SK107

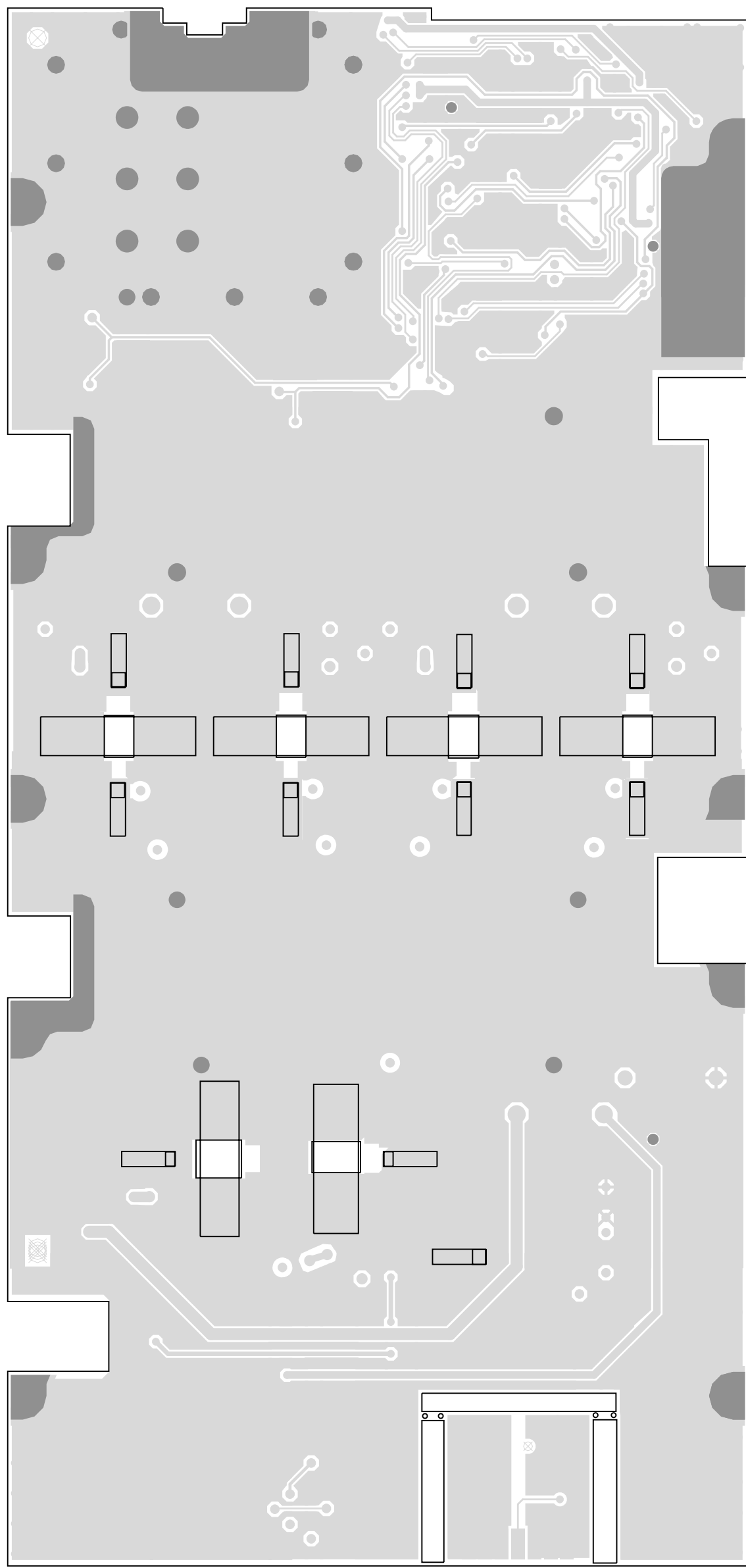
REV/ISS	AMENDMENTS	DRAWN	CHKD	D.O.	APVD	DATE

© TAIT ELECTRONICS			
T889 800MHZ 90W PA			
SP#	ISS#	ID	
220-01326-03	A	2-SC-2	
PROJECT:	DESIGNER:	FILE NAME:	NO SHEETS:
T889	MAJ	132603A	2



TAIT ELECTRONICS T889PA PCB LAYOUT - TOP SIDE	IPN:	ISS:	ID:	DATE:
	220-01326-03	03	1.TA	3 Feb 1998

Scale: 1.2:1 ; Rotation: 0 degrees



TAIT ELECTRONICS	IPN: 220-01326-03	ISS: 03	ID: 2.BA	DATE: 3 Feb 1998
T889PA PCB LAYOUT - BOTTOM SIDE				

Scale: 1:2.1 : Rotation: 0 degrees